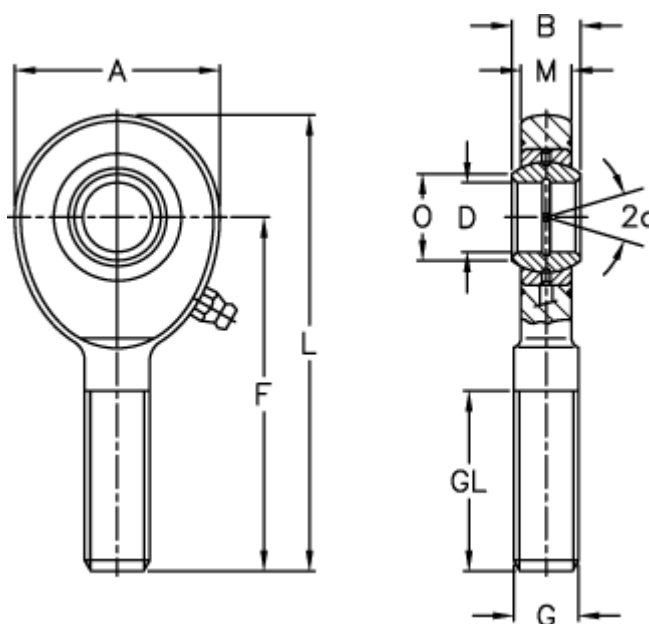


Article number: 03462030
 Description: Fluro Rod end EA 30
 Note: 30

Measures



A	= 73	L	= 146.5
a (degrees)	= 6	M	= 19
B	= 22	O	= 34.2
D	= 30	Static drive kN	= 124
Dynamic drive (kN)	= 62	Weight	= 890
F	= 110		
g	= M30x2		
GL	= 65		